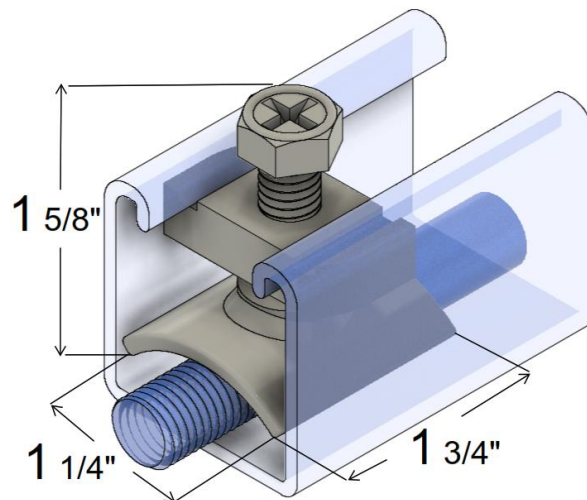
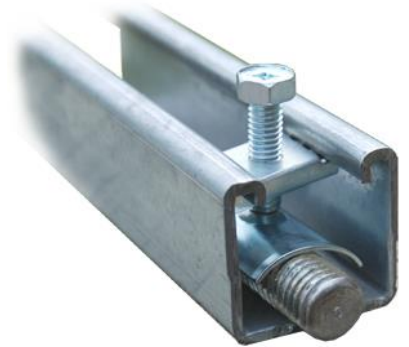


**Finish** Zinc Plated

**Material** Carbon Steel, Stainless Steel

**Recommended** Rod Stiffener Nut, used to secure strut fittings to strut channel

**Note** 304SS Screw and Strut Nut with 316SS Saddle.  
For 3/8" through 5/8" all threaded rod.



QWI 4.3.1 Issue Date Mar/24 Rev.2

Note: when referencing a printed copy of this specification page, please insure it is the latest version as found on our website at

[www.taylorwalraven.ca](http://www.taylorwalraven.ca)

For more information, please contact Customer Service at 1-800-263-8652